

Product Recommendation Sheet

■ Mechanism: Lead Screw

Date dd / mm / yy

Name:		Contact Person:		Department / Title:	
TEL:		FAX:		Application:	
Power Input: <input type="checkbox"/> Single phase AC _____ V		<input type="checkbox"/> 3 phase AC _____ V		<input type="checkbox"/> DC _____ V	
Frequency: _____ Hz					

Activated mode:

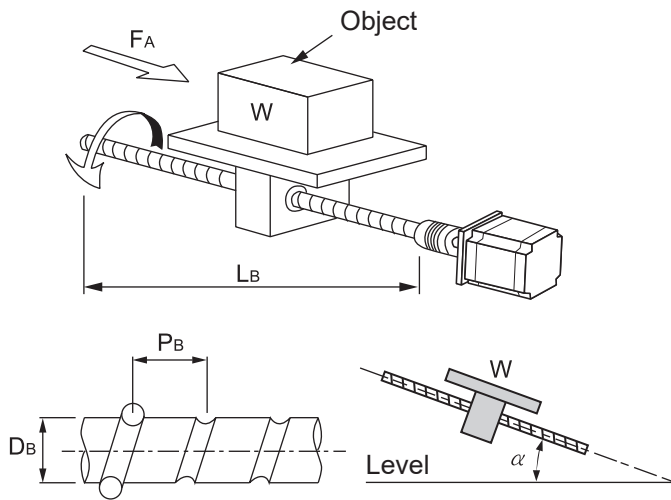
- Single direction operating continuously → Rated speed Regulated speed (Range: _____ rpm ~ _____ rpm)
 Single direction run, stop, run, stop → Activated time: _____ Second/Sequence, Stop time: _____ Second/Sequence; Run, stop total _____ Sequence/Minute
 Clockwise / counterclockwise repeated → CW: _____ Second/Sequence, Stop: _____ Second/Sequence ; CCW: _____ Second/Sequence, Stop: _____ Sequence/Minute

Required motor: AC induction motor: Induction Reversible Speed control Magnetic brake Torque

DC brushless motor: BMS Series BS Series SBS Series UBS Series DBS Series Magnetic brake Series

Stepper motor: 2 phase 3phase 5phase

【Mechanism reference】



【Please sketch your actual transmission part of mechanism】

【Drive mechanism and operating data】

Work + Table mass	W = _____ kg	Frictional coefficient of sliding surfaces μ = _____
Screw angle	α = _____ deg	Positioning distance *(Note) L = _____ cm
Screw shaft diameter	D _B = _____ cm	Positioning time *(Note) T _O = _____ sec
Screw length	L _B = _____ cm	Push / Pull force F _A = _____ kg
Screw pitch	P _B = _____ cm	Stopping accuracy ± _____ mm
Material	ρ = _____	
Screw efficiency	η = _____	
Internal frictional coefficient of pilot pressure nut	μ_0 = _____	

*(Note): Please enter the max speed.

Recommendation products (Selected specs) :

※ Leave blank for any unclear items and send this form by fax, We wil select the suitable products for you as soon as possible.

This page can copy to use